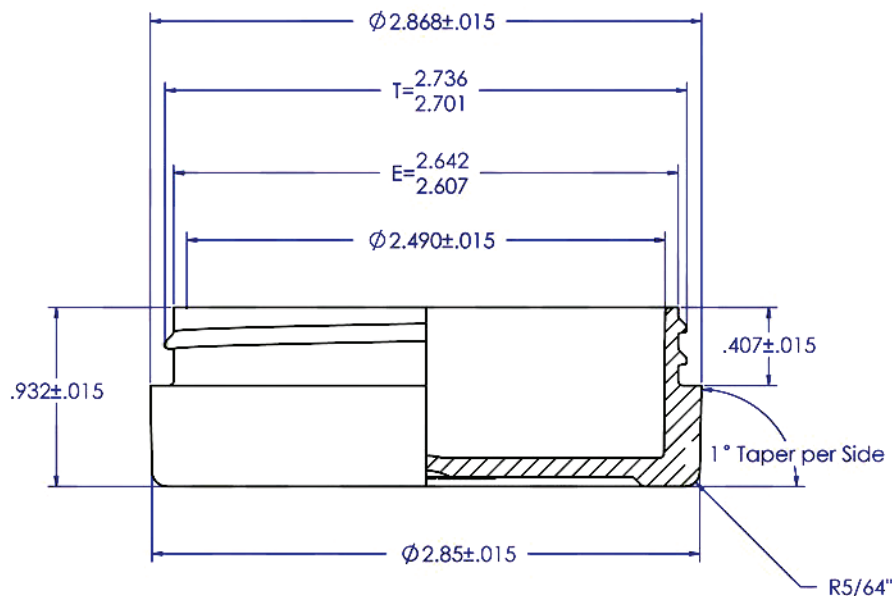


PACK CODE JAR2514-1oz
 PACK TYPE J A R S
 CATEGORY Skincare



PRODUCT DATA SHEET

DESCRIPTION Single thick wall jar all PP 1oz (also available in 2, 4, 6, 8, 12 & 16oz)

BENEFITS Maximum compatibility with your formula
 Optimum robustness thanks to the thick wall
 Price efficient
 Easy top filling (fill & screw on cap)
 Wide range of decoration
 Evacuation rate 100%

APPLICATIONS Creams, lotions, moisturizer, gel



TECHNICAL SPECIFICATIONS

GENERAL INFORMATION

DIMENSIONS	
Total Height	$.932 \pm 0.15$
Diameter	$\phi 2.85 \pm 0.15$

PRODUCTION & PACKING

PRODUCTION	
Lead time	4 - 6 weeks
MOQ	10k
Plant location	USA

MATERIALS

Jar	PP
Cap	PP

PACKING SPECS

	Carton Size	N.W	Qty/Ctn
Jar	20" x 14" x 14.5"	23.3 lbs.	420
Smooth cap	20" x 14" x 14.5"	15.8 lbs	700
Dome Cap	20" x 14" x 14.5"	15.8 lbs	680

CAPACITY

Declared	1oz
OFC	62ml $\pm 3\%$

DECO OPTIONS

Jar
 Injection color, silk screen, hot stamping

Cap
 Injection color, silk screen, hot stamping