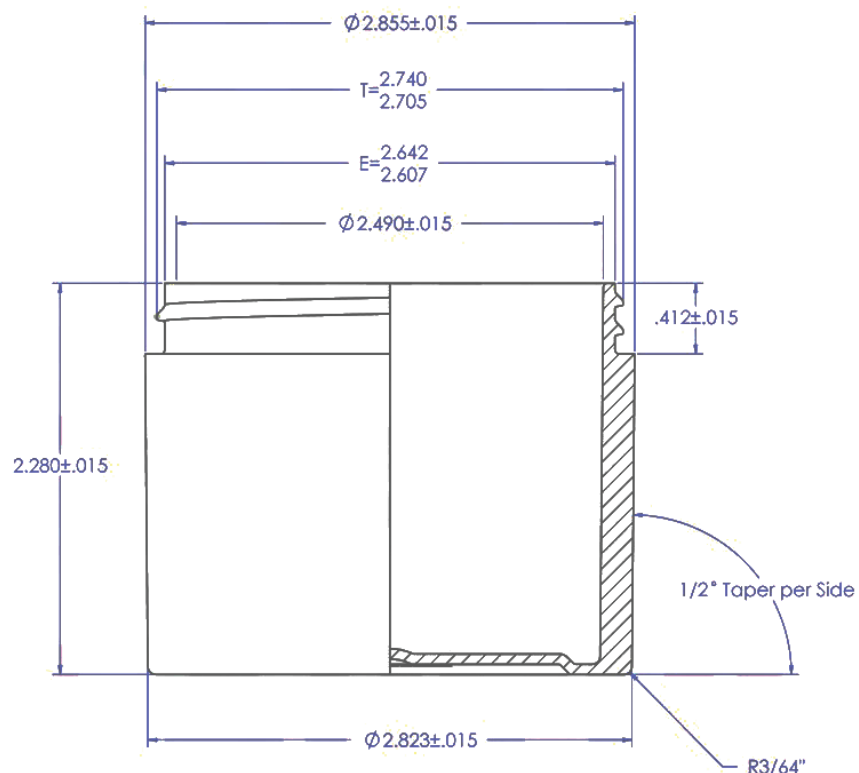


PACK CODE JAR2429-4oz
 PACK TYPE J A R S
 CATEGORY Skincare



PRODUCT DATA SHEET

DESCRIPTION Single thick wall jar all PP 4oz (also available in 1, 2, 6, 8, 12 & 16oz)

BENEFITS

- Maximum compatibility with your formula
- Optimum robustness thanks to the thick wall
- Price efficient
- Easy top filling (fill & screw on cap)
- Wide range of decoration
- Evacuation rate 100%

APPLICATIONS Creams, lotions, moisturizer, gel



TECHNICAL SPECIFICATIONS

GENERAL INFORMATION

DIMENSIONS

Total Height	2.280±.015
Diameter	2.823±.015

MATERIALS

Jar	PP
Cap	PP

CAPACITY

Declared	4oz
OFC	170.5ml ± 3%

PRODUCTION & PACKING

PRODUCTION

Lead time	4 - 6 weeks
MOQ	10k
Plant location	USA

PACKING SPECS

	Carton Size	N.W	Qty/Ctn
Jar	20" x 14" x 14.5"	22 lbs.	180
Smooth cap	20" x 14" x 14.5"	15.8 lbs	700
Dome Cap	20" x 14" x 14.5"	15.8 lbs	680

DECO OPTIONS

Jar
 Injection color, silk screen, hot stamping

Cap
 Injection color, silk screen, hot stamping