

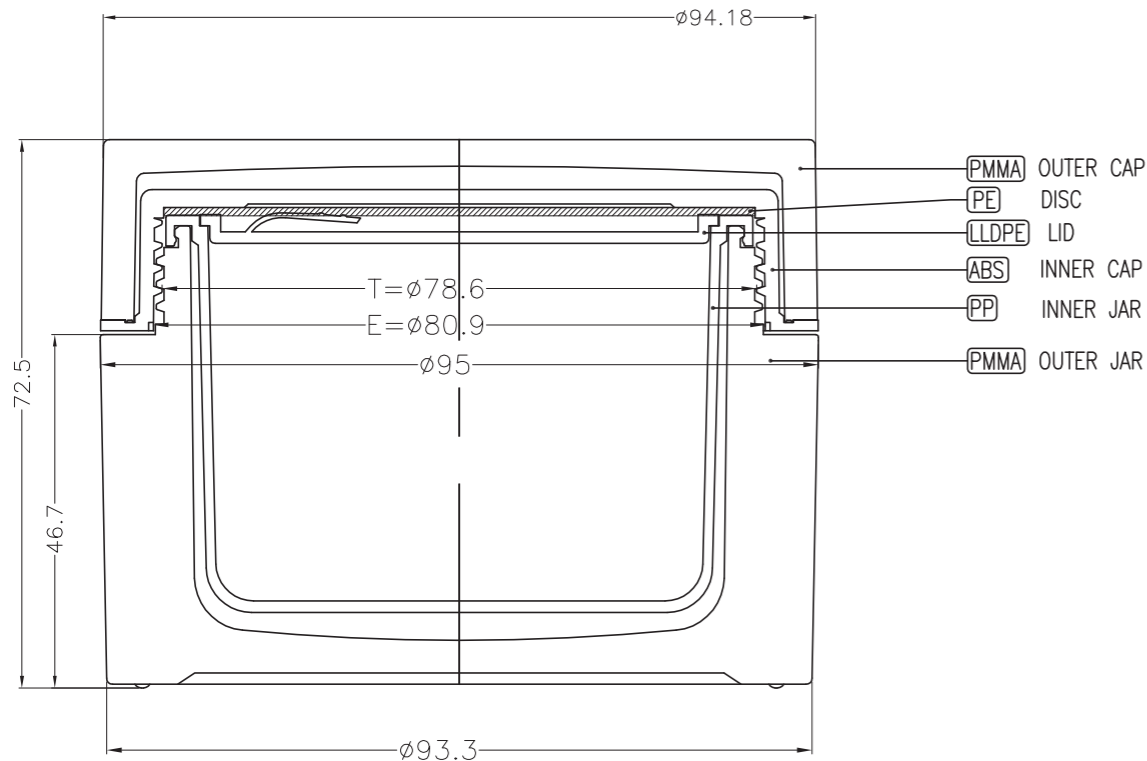
PACK CODE JAR1149-150ml
 PACK TYPE J A R S
 CATEGORY Skincare

PRODUCT DATA SHEET

DESCRIPTION Acrylic double wall jar 150ml (also available in 15, 30, 50, 100 & 200ml)

BENEFITS
 Acrylic raw material provide provide perfect transparency
 Maximum compatibility between the PP inner jar and your fomula
 Easy top filling (fill & screw on cap)
 Wide range of decoration
 Evacuation rate 100%

APPLICATIONS Creams, lotions, moisturizer, gel



TECHNICAL SPECIFICATIONS

GENERAL INFORMATION

DIMENSIONS

Total Height	72.5mm
Diameter	$\phi 94.18$ mm

MATERIALS

Outer cap	PMMA
Disc	PE
Lid	LLDPE
Inner cap	PP
Inner jar	PP
Outer jar	PMMA

CAPACITY

Declared	150ml
----------	-------

PRODUCTION & PACKING

PRODUCTION

Lead time	4 - 6 weeks
MOQ	10k
Plant location	Asia

DECO OPTIONS

Inner jar

Injection color, metallization

Outer jar

Spray, silk screen, hot stamping

Cap

Injection color, metallization, silk screen, hot stamping