

# QUADPACK

PACK CODE **BTL4718-50ml**  
 PACK TYPE **Bottles**  
 CATEGORY **Skincare**

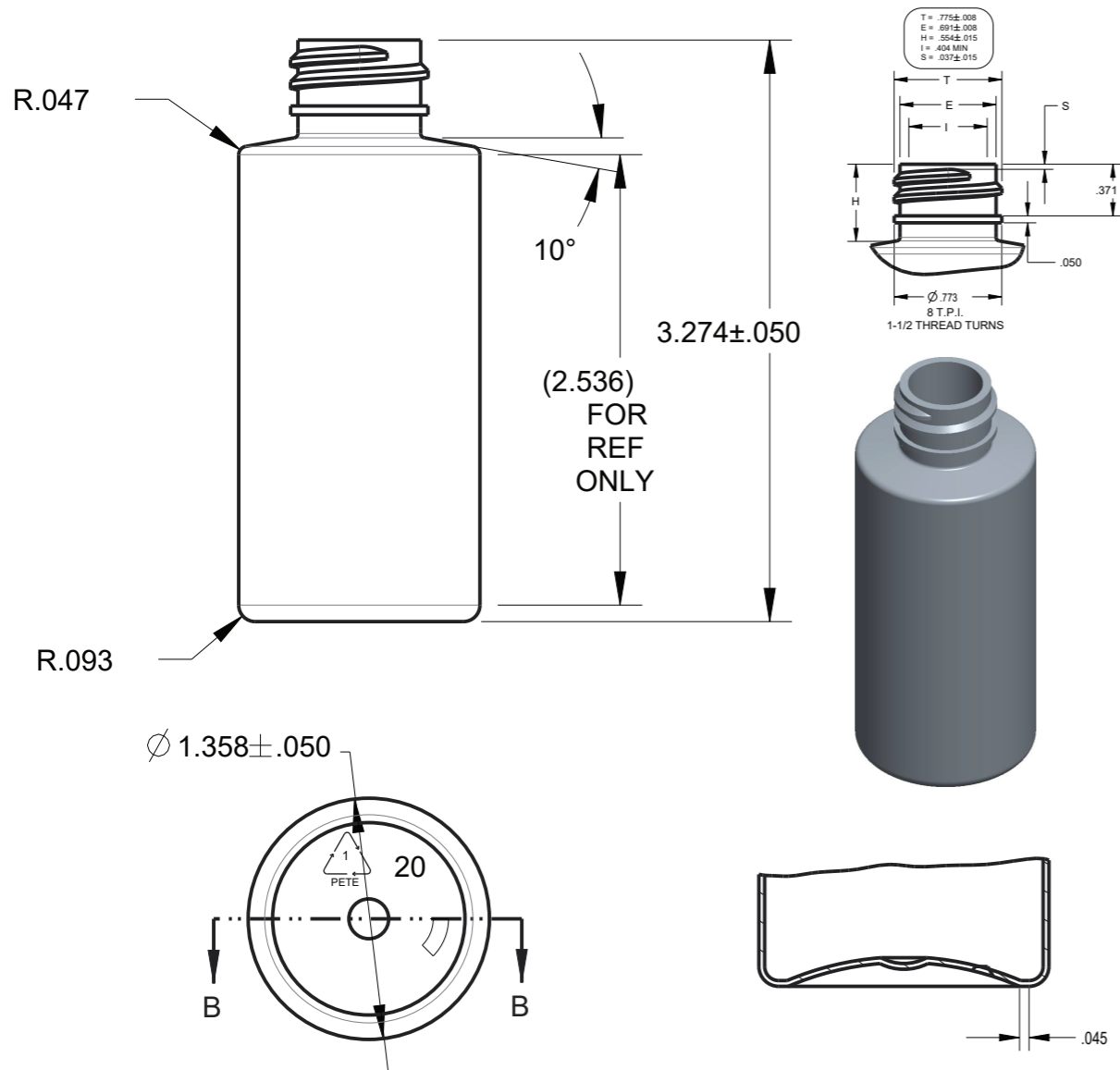
## PRODUCT DATA SHEET

**DESCRIPTION** Cylinder Round PET bottle in 50ml (also in 30ml, 120ml, 125ml, 180ml, 236ml & 360ml) with 20-410 Neck

**BENEFITS**

- PET is fully recyclable
- Economical for a wide range of products
- Round shape is easy to decorate
- Compatible with most products
- Standard neck size

**APPLICATIONS** Creams, lotions, body wash, shampoo, conditioner



### TECHNICAL SPECIFICATIONS

#### GENERAL INFORMATION

#### PRODUCTION & PACKING

#### DIMENSIONS

Total Height	83.159 ± 1.27mm
Diameter	Ø34.49 ± 1.27mm

#### PRODUCTION

Lead time	4-6 weeks
MOQ	10k
Plant location	USA

#### MATERIALS

Bottle	PET
--------	-----

#### PACKING SPECS

Carton Size	G.W	Case W	Qty/Ctn
24x15x24	9.5	26.54	1120

#### CAPACITY

Declared	50ml
OFC	60 ± 2

#### DECO OPTIONS

**Bottle**  
 Injection color  
 Silk screen, hot stamp, label