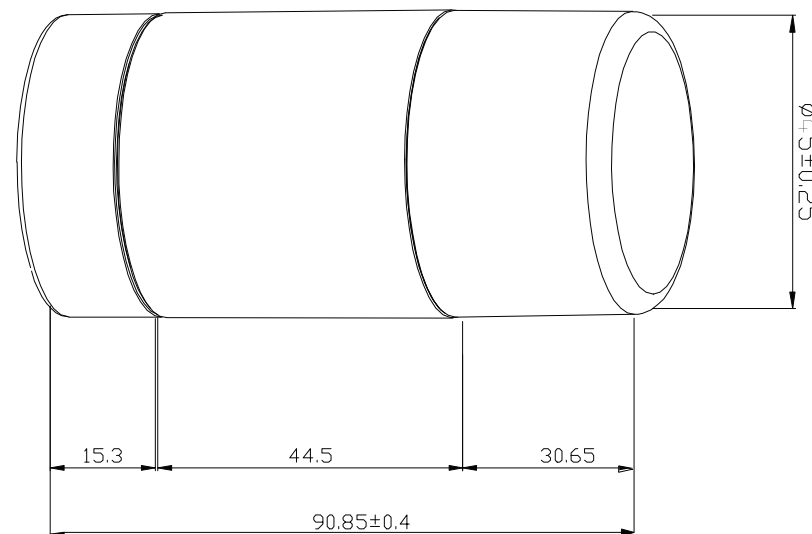
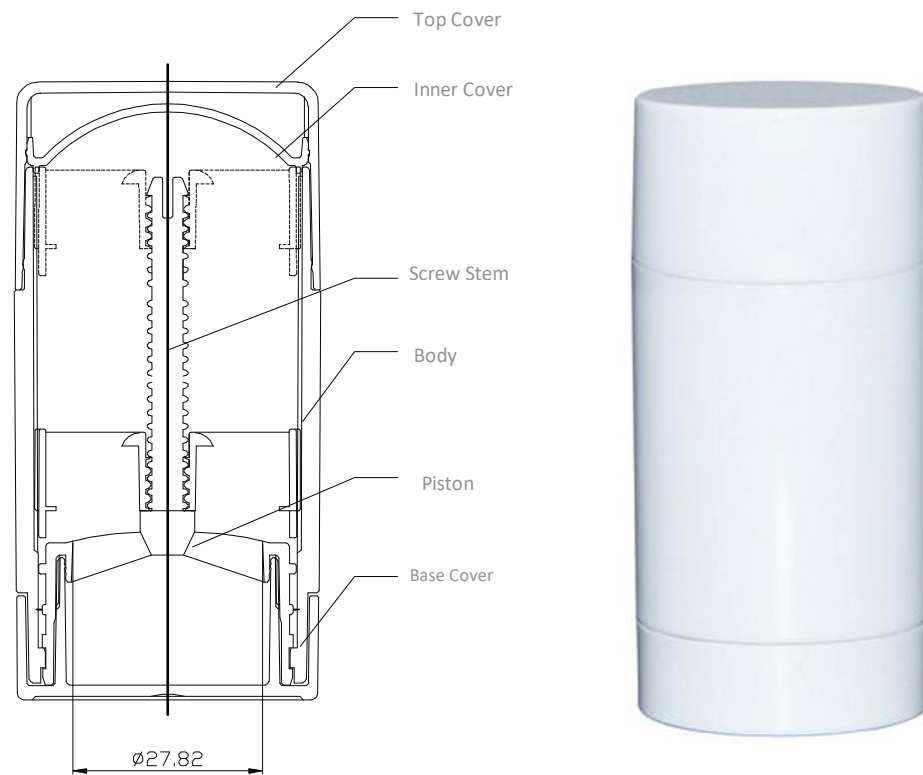


PACK CODE BTL4686-50ml
PACK TYPE Sticks
CATEGORY Skincare

DESCRIPTION Twist up round PP deodorant stick in 50ml (also available in 15ml, 30ml, & 75ml) capacities.

BENEFITS Twist up deodorant sticks provide continuous delivery of your products. Easy to apply with one hand. Bottom fill allows for great presentation of your finished product. With all parts in PP this pack is 100% recyclable

APPLICATIONS Deodorants & skincare products



TECHNICAL SPECIFICATIONS

GENERAL INFORMATION

DIMENSIONS	
Total Height	90.85±0.4mm
Diameter	ø45±0.25mm

MATERIALS			
Top Cover	PP	Body	PP
Inner Cover	PP	Piston	PP
Screw Stem	PP	Base Cover	PP

CAPACITY	
Declared	50ml

PRODUCTION & PACKING

PRODUCTION	
Lead time	4-6 weeks
MOQ	10k
Plant location	Asia

PACKING SPECS			
	Carton Size	G.W	Qty/Ctn
Cap & Body	37*55*36	11.5kgs	240
Base	37*55*36	6.7kgs	840

DECO OPTIONS

Bottle Outer
 Injection or spray color, metallization
 Silk screen, hot stamp, label

