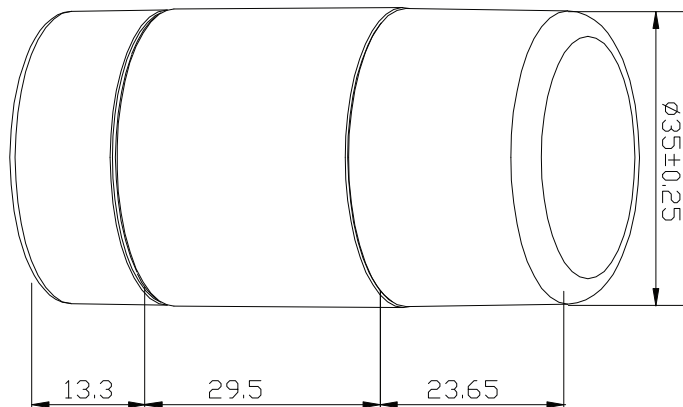
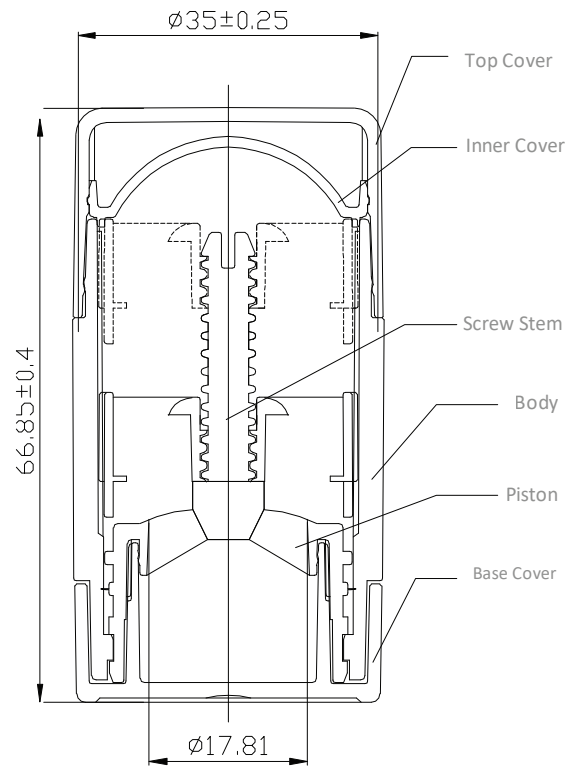


PACK CODE
PACK TYPE
CATEGORY

BTL4686-15ml
Sticks
Skincare



PRODUCT DATA SHEET

DESCRIPTION

Twist up round PP deodorant stick in 15ml (also available in 30ml, 50ml & 75ml) capacities.

BENEFITS

Twist up deodorant sticks provide continuous delivery of your products. East to apply with one hand

Bottom fill allows for great presentation of your finished product. With all parts in PP this pack is 100% recyclable.

APPLICATIONS

Deodorants & skincare products



TECHNICAL SPECIFICATIONS

GENERAL INFORMATION

DIMENSIONS

Total Height	66.85±0.4mm
Diameter	35±0.25mm

MATERIALS

Top Cover	PP	Body	PP
Inner Cover	PP	Piston	PP
Screw Stem	PP	Base Cover	PP

CAPACITY

Declared	15ml
----------	------

PRODUCTION & PACKING

PRODUCTION

Lead time	4-6 weeks
MOQ	10k
Plant location	Asia

PACKING SPECS

	Carton Size	N.W	Qty/Ctn
Cap & Body	37.5*55*36	14	616
Base	39.5*55*39	8.5	1824

DECO OPTIONS

Bottle Outer

Injection or spray color, metallization
Silk screen, hot stamp, label

