

PACK CODE BTL4655-50ml
PACK TYPE Bottles
CATEGORY Skincare

DESCRIPTION

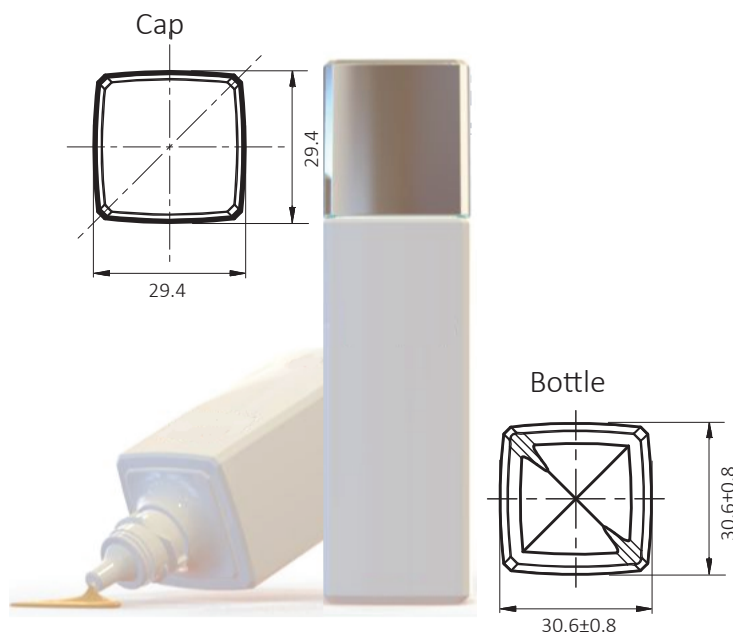
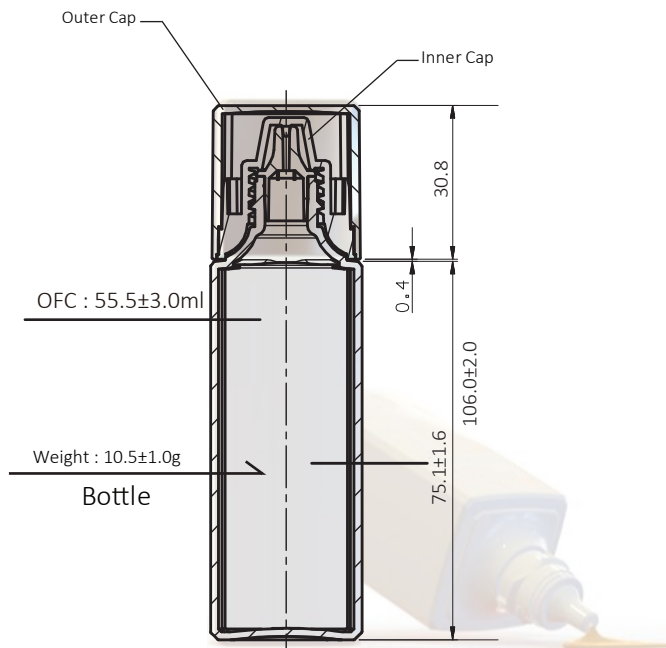
Multi-layer square PE bottle with screw on cap in 50ml (also available in 35ml) capacity.

BENEFITS

Popular for cosmetics that need to be squeezed out. Great delivery system for one handed use. Multi layer material provides best barrier to keep your formula fresh and works with the widest ranges of active ingredients

APPLICATIONS

Creams, lotions, foundations, serums, concealer, moisturizer



TECHNICAL SPECIFICATIONS

GENERAL INFORMATION

DIMENSIONS

Total Height	106.0±2.0mm
Diameter	29.4mm

MATERIALS

Bottle	LDPE & EVOH
Inner Cap	PP
Outer Cap	PP
Orifice	LDPE

CAPACITY

Declared	50ml
OFC	55.5±3.0mm

PRODUCTION & PACKING

PRODUCTION

Lead time	4-6 weeks
MOQ	10k
Plant location	Asia

PACKING SPECS

	Carton Size	G.W	N.W	Qty/Ctn
Bottle	480 * 380 * 390	9.1	8.1	720
Cap	520 * 330 * 400	11	10	1008
Plug	520 * 330 * 400	15.53	14.3	30000

DECO OPTIONS

Bottle Outer

Injection or spray color, metallization
 Silk screen, hot stamp, label