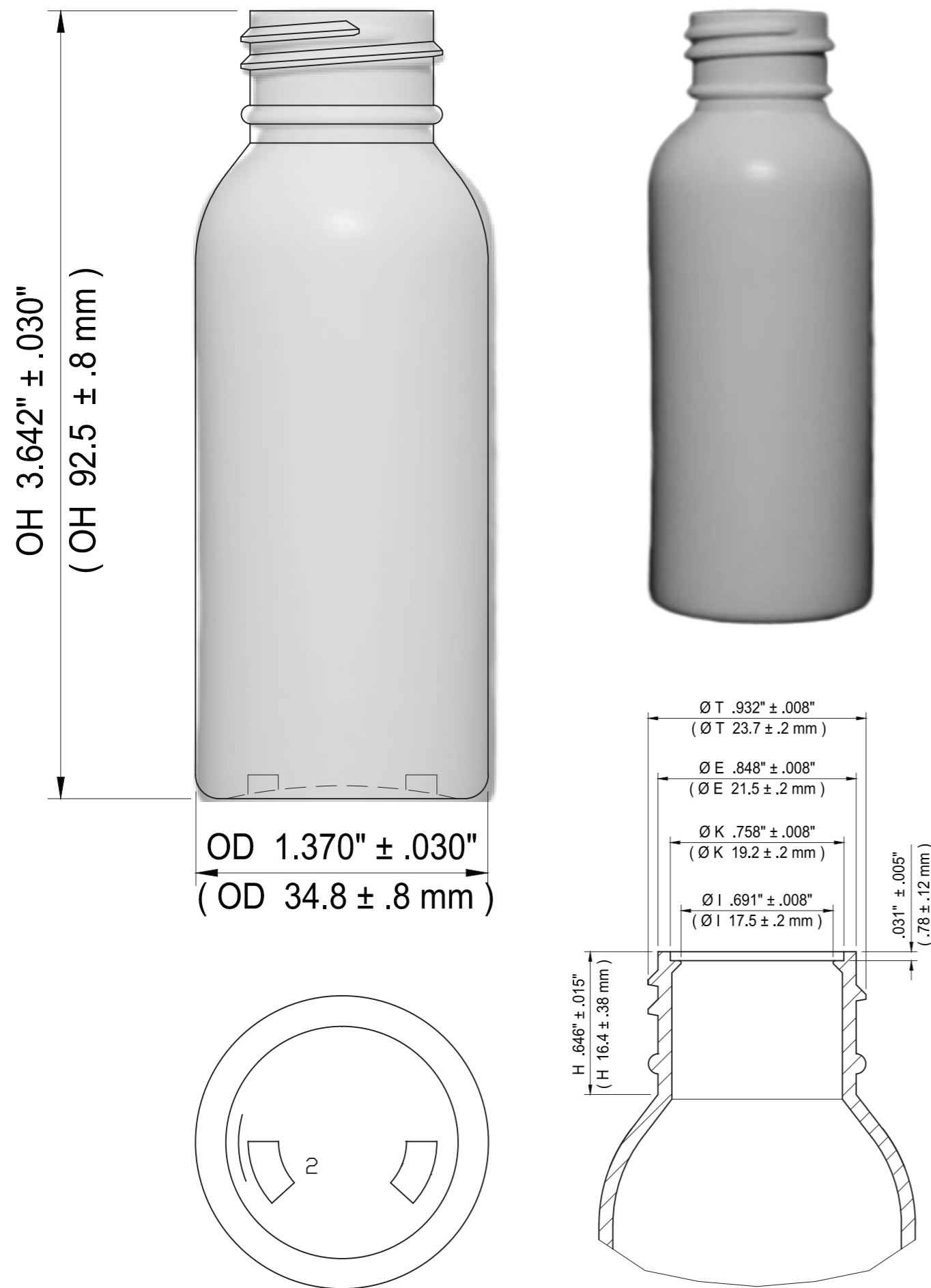


QUADPACK

PACK CODE BTL4330-60ml
 PACK TYPE Bottles
 CATEGORY Skincare



PRODUCT DATA SHEET

DESCRIPTION Bullet round HDPE in 60ml (also in 30ml, 120ml, 240ml, 360ml & 480ml) with 24-410 neck

BENEFITS HDPE is fully recyclable
 Economical for a wide range of products
 Round shape is easy to decorate
 Compatible with most products
 Standard neck size

APPLICATIONS Creams, lotions, body wash, shampoo, conditioner

TECHNICAL SPECIFICATIONS

GENERAL INFORMATION

DIMENSIONS

Total Height	92.5 mm
Diameter	ø34.8 mm

MATERIALS

Bottle	HDPE
--------	------

CAPACITY

Declared	60ml
OFC	69±3ml

PRODUCTION & PACKING

PRODUCTION

Lead time	6-8 weeks
MOQ	10k
Plant location	Mexico & USA

PACKING SPECS

Carton Size	N.W	Qty/Ctn
27*18*19"	10 Kg	1000

DECO OPTIONS

Bottle
 Injection
 Silk screen, hot stamp, label