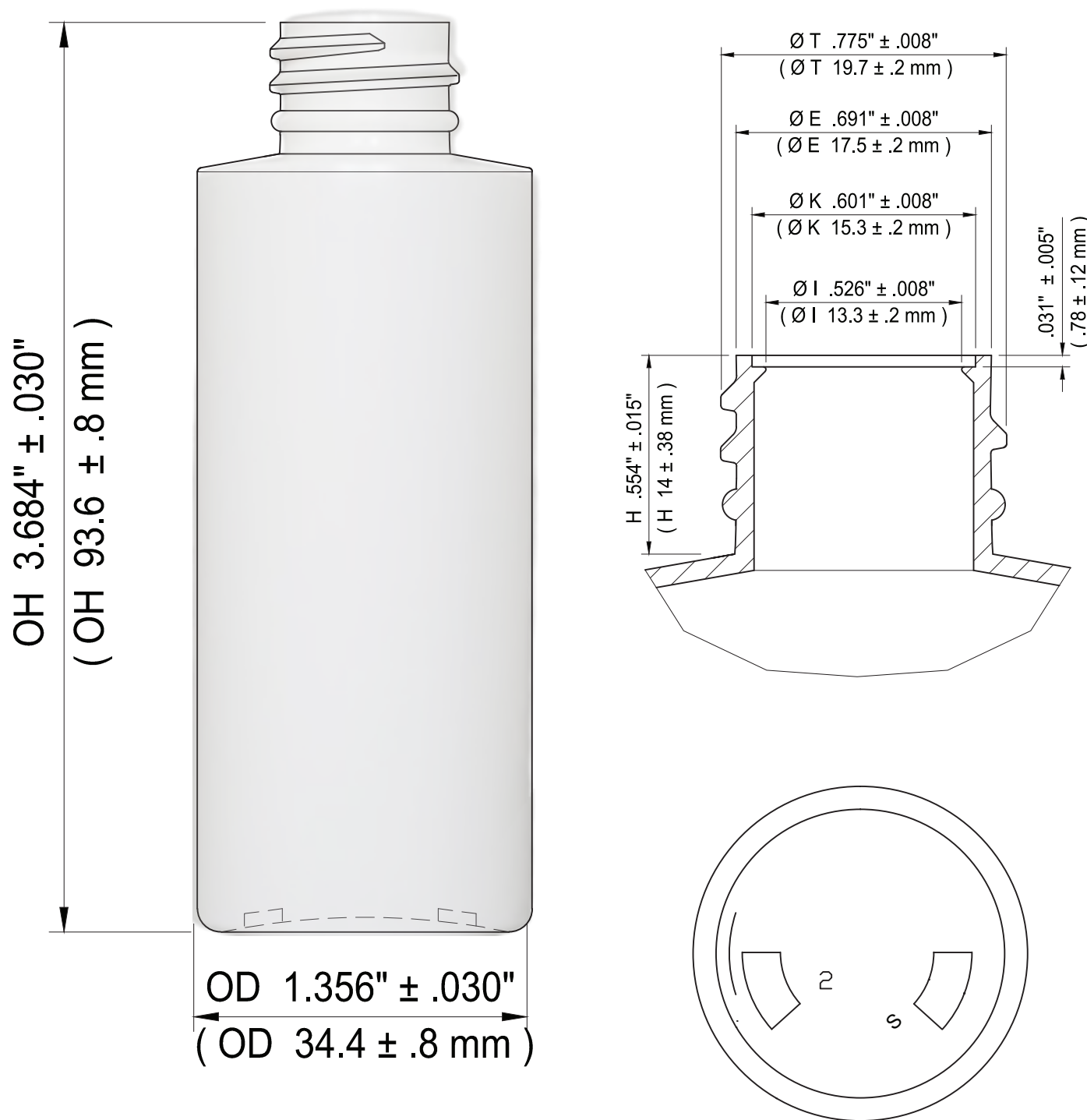


PACK CODE BTL4287-60ml
PACK TYPE Bottles
CATEGORY Skincare

DESCRIPTION Cylinder round HDPE in 60ml (also in 30ml, 120ml, 240ml, 360ml & 480ml) 20-410 neck
BENEFITS HDPE is fully recyclable
 Economical for a wide range of products
 Round shape is easy to decorate
 Compatible with most products
 Standard neck size
APPLICATIONS Creams, lotions, body wash, shampoo, conditioner



TECHNICAL SPECIFICATIONS

GENERAL INFORMATION

PRODUCTION & PACKING

DIMENSIONS

Total Height	93.6mm
Diameter	ø34.4mm

PRODUCTION

Lead time	6-8 weeks
MOQ	10k
Plant location	Mexico & USA

MATERIALS

Bottle	HDPE
--------	------

PACKING SPECS

Carton Size	N.W	Qty/Ctn
27" x 18" x 19"	10kg	1000

CAPACITY

Declared	60ml
OFC	69±3

DECO OPTIONS

Bottle
 Injection color
 Silk screen, hot stamp, label