

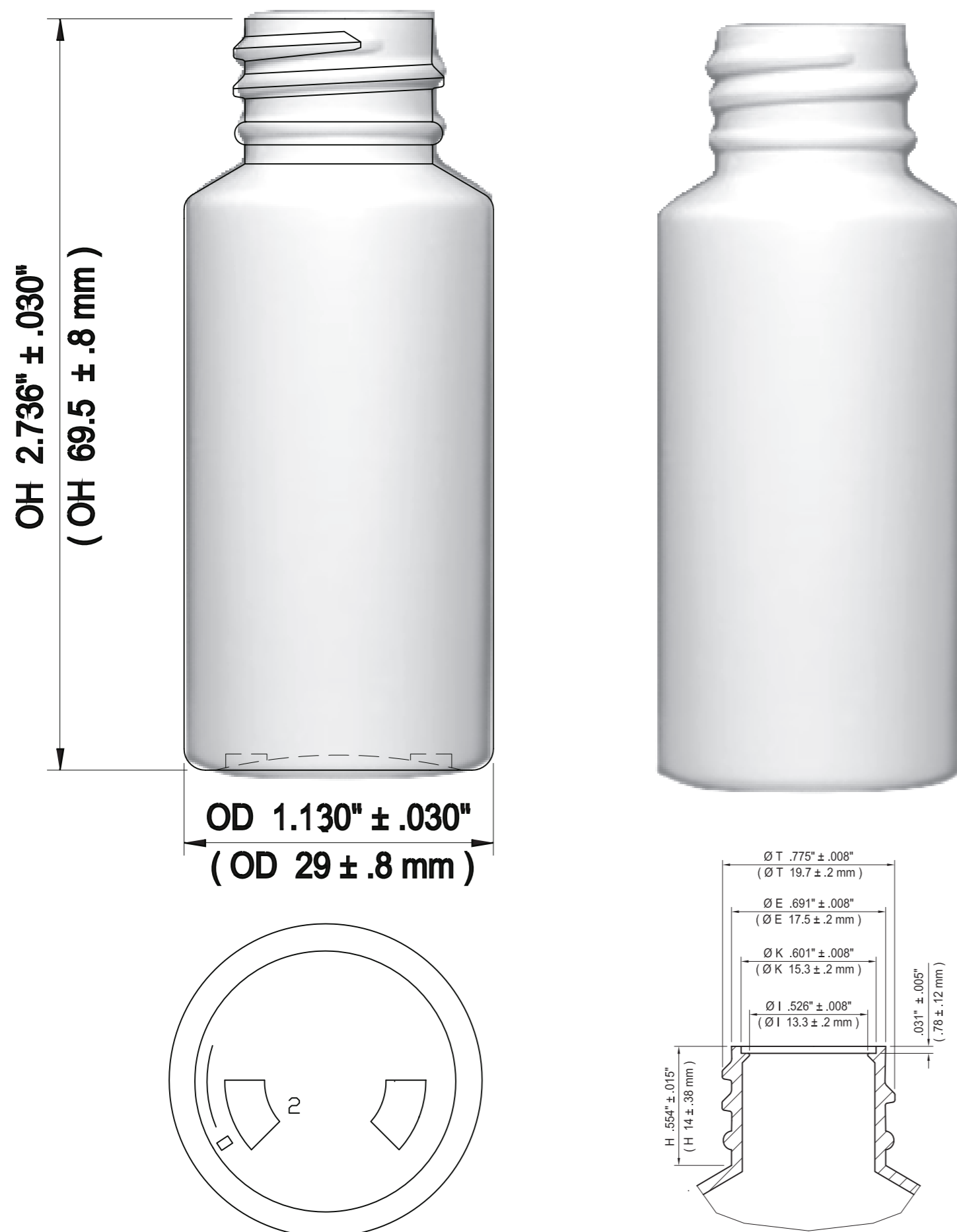
PACK CODE BTL4286-30ml
PACK TYPE Bottles
CATEGORY Skincare

DESCRIPTION Cylinder round HDPE in 30ml (also in 60ml, 120ml, 240ml, 360ml & 480ml) with 20-410 neck

BENEFITS

- HDPE is fully recyclable
- Economical for a wide range of products
- Round shape is easy to decorate
- Compatible with most products
- Standard neck size

APPLICATIONS Creams, lotions, body wash, shampoo, conditioner



TECHNICAL SPECIFICATIONS

GENERAL INFORMATION

PRODUCTION & PACKING

DIMENSIONS

Total Height	70mm
Diameter	ø29

PRODUCTION

Lead time	6-8 weeks
MOQ	10k
Plant location	Mexico & USA

MATERIALS

Bottle	HDPE
--------	------

PACKING SPECS

Carton Size	N.W	Qty/Ctn
27" x 18" x 19"	14kg	2000

CAPACITY

Declared	30ml
OFC	33±3

DECO OPTIONS

Bottle
 Injection color
 Silk screen, hot stamp, label