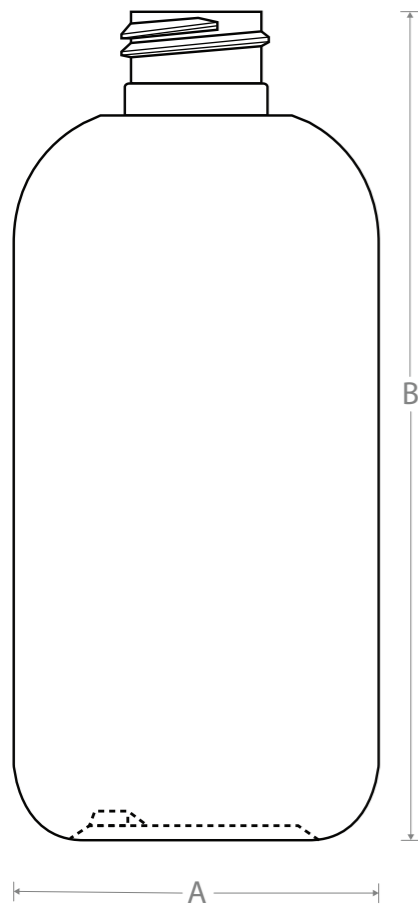
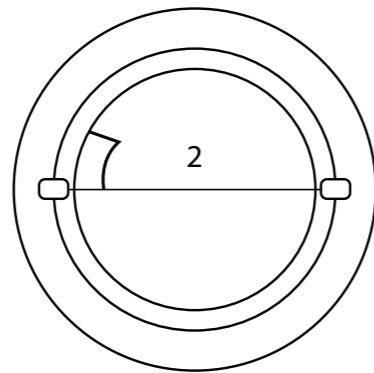
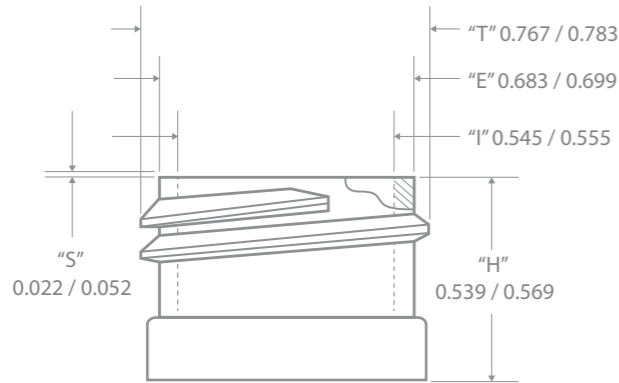


QUADPACK

PACK CODE BTL4666-150ml
 PACK TYPE Bottles
 CATEGORY Skincare



PRODUCT DATA SHEET

DESCRIPTION

Boston Round PET bottle in 150ml (also in 30ml, 60ml, 90ml, 120ml, 180ml, 240ml, 360ml, 480ml) with 20-410 Neck

BENEFITS

PET is fully recyclable
 Economical for a wide range of products
 Round shape is easy to decorate
 Compatible with most products
 Standard neck size

APPLICATIONS

Creams, lotions, body wash, shampoo, conditioner

TECHNICAL SPECIFICATIONS

GENERAL INFORMATION

DIMENSIONS

Total Height	4.33 ± 0.050mm
Diameter	ø1.900 ± 0.050mm

MATERIALS

Bottle	LDPE
--------	------

CAPACITY

Declard	150ml
OFC	148 - 159ml

PRODUCTION & PACKING

PRODUCTION

Lead time	6-8 weeks
MOQ	10k
Plant location	USA

PACKING SPECS

Carton Size	N.W	Qty/Ctn
24 7/16 x 18 1/2 x 23	23.0 ± 1	660

DECO OPTIONS

Bottle

Injection custom color, silk screen, label & hot stamp